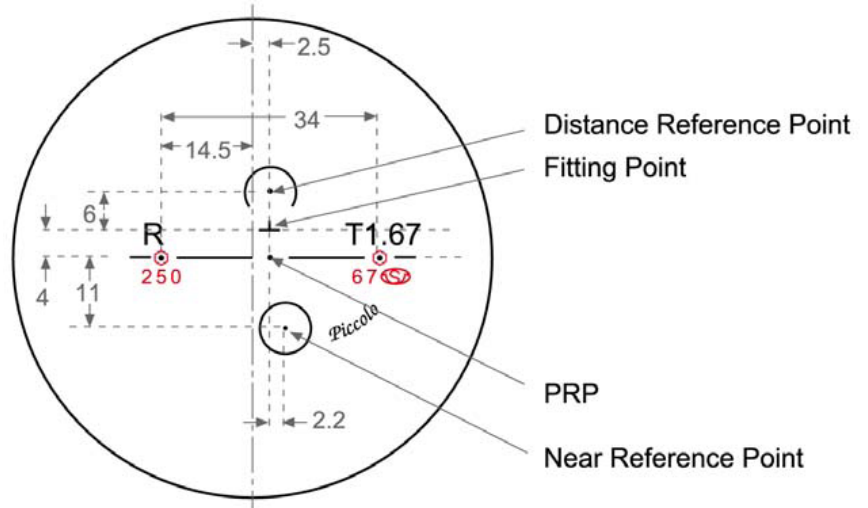




SuperLite™ 1.67
Transitions Gray



Material Data:

| | |
|----------------------------|-------|
| Index Nd | 1.664 |
| Abbe Value Nd | 32.0 |
| Density gr/cm ³ | 1.37 |

Ink Marking: Black. Invisible Marking: Red

| | | |
|------------------------------|-------------------------|------------------------------|
| Minimum Fitting Height: 16mm | PRP Decentration: 2.5mm | Fitting Point: 4mm above PRP |
|------------------------------|-------------------------|------------------------------|

*** Do not sag! Use printed sag values for power calculations only.
Minimum Center Thickness for Surfacing 1.5mm**

Blank Specifications

| Nominal Base | True Base 1.530 | Base Radius [mm] | Sag 50mm* | Concave Curve | CT [mm] | ET [mm] | Diameter | Add Powers |
|--------------|-----------------|------------------|-----------|---------------|---------|---------|----------|-------------|
| 1.50 | 1.48 | 357.27 | 0.88 | 6.10 | 10.2 | 15.5 | 72/77 | 1.00 – 3.00 |
| 3.00 | 2.98 | 178.07 | 1.76 | 6.10 | 8.8 | 12.2 | 72/77 | 1.00 – 3.00 |
| 4.50 | 4.51 | 117.42 | 2.69 | 6.10 | 9.1 | 10.6 | 72/77 | 1.00 – 3.00 |
| 5.75 | 5.75 | 92.23 | 3.45 | 6.10 | 8.2 | 8.3 | 72/77 | 1.00 – 3.00 |
| 7.00 | 7.00 | 75.66 | 4.25 | 6.10 | 10.1 | 8.4 | 72/77 | 1.00 – 3.00 |

Prescription Range - Sphere: -12.50[D] to +6.00[D] Cylinder: up to -6.00[D]

| Nominal Base | Power Range |
|--------------|-----------------|
| 1.50 | -11.25 to -6.25 |
| 3.00 | -6.00 to -2.00 |
| 4.50 | -1.75 to +2.00 |
| 5.75 | +2.25 to +4.00 |
| 7.00 | +4.25 to +6.00 |